

Cisco Digital Transport Adapter 50 Remote Control



Welcome

The Cisco® Digital Transport Adapter 50 (DTA50) remote controls your DTA50 adapter and connected cable-ready TV. Use the instructions in this guide to set up and use your Cisco DTA50 Remote Control.

Important Information About Your Remote

Your remote is initially programmed to operate only your DTA50. Therefore, you must program the remote to operate your TV. See **Program the Remote to Control My TV** to learn how to enter TV codes and program your remote.

Batteries

The remote requires two AAA batteries. A diagram inside the battery compartment of the remote indicates proper placement of the batteries.

Note: Batteries must be replaced within two minutes of removal to retain programmed TV Codes.

Caution: This remote is not a toy. It should be kept out of the reach of children under the age of 6 years.

Program the Remote to Control My TV

You will need to program your remote to control your cable-ready TV. See **TV Setup Codes** to locate valid codes for your TV.

Press the **PROG** key for at least three seconds and then press the four-digit code for your TV. If programming was successful, the remote now controls the TV's POWER (on/off), Volume (+/-), MUTE and Closed Captioning (CC) keys.

Notes:

- Do not press the PROG key for more than 30 seconds.
- On a few cable-ready TVs, the Power key is the only key that can be programmed successfully.

1

Auto Search

(Programming Code 914)

If your brand of TV does not respond to the remote control after trying all the codes listed, or if your brand of TV is not listed, try using the Auto Search function.

The Auto Search feature automatically searches for the right code by sending a Power Off command for all codes that are available for a device.

- Turn on your cable-ready TV
- Press the **PROG** key for at least 3 seconds
- Enter the programming code **914** by pressing the numeric keys on the remote.
- Point the remote control at the TV and press the **POWER** key at the same time. Continue to press the **POWER** key until the TV turns off.
- After the TV turns off, release all keys. The remote is now programmed to work with your TV.

Change Volume Control

By default, the volume and MUTE keys control the volume on the DTA50. After you have programmed the remote to control your TV, the volume and MUTE keys adjust the volume of your TV higher, lower, or temporarily switch the volume on and off (MUTE).

Controlling the DTA50 Volume

(Programming Code 9931)
To reset the volume and MUTE keys to control the volume on the DTA50, press the **PROG** key and then enter the programming code **9931** by pressing the numeric keys on the remote.

Controlling the TV Volume

(Programming Code 9932)
After manually resetting the volume and MUTE keys to control the volume on the DTA50, you can reset the volume and MUTE keys to control the volume on the TV. Press the **PROG** key and then enter the programming code **9932** by pressing the numeric keys.

2

Phantom codes can be transmitted to the DTA50 adapter when a remote control's volume keys become locked to a TV. The DTA50 adapter uses these codes to reset its volume to an optimal setting.

Turn Off Phantom Code

(Programming Code 9933)
To turn off the Phantom Code, press the **PROG** key and then enter the programming code **9933** by pressing the numeric keys.

Turn On Phantom Code

(Programming Code 9934)
To turn on the Phantom Code, press the **PROG** key and then enter the programming code **9934** by pressing the numeric keys on the remote.

Put It Back the Way I Got It

You can return all functions to their original settings by resetting the remote to factory default settings. Resetting the remote to factory default settings removes all of the programming you have entered for the remote. You must reprogram the remote to restore your personal settings.

Resetting the Remote to Factory Default Settings

- (Programming Code 981)
- Press the **PROG** key for at least three seconds.
 - Enter the programming code **981** by pressing the numeric keys on the remote. The remote will be reset to its factory default settings.

Notes:

- Do not press the PROG key for more than 30 seconds
- If any other key is pressed except the numeric keys, the remote does not accept any changes or updates.
- If the remote times out before you complete the factory default reset procedure, the remote does not accept any changes. You must start over.
- The DTA50 remote control does not have an LED indicator.

3

Troubleshooting

If there is no response when you press the keys on the remote, please check the following items before calling for service.

Check the Batteries

- Are the batteries inserted correctly?
- Check the battery condition for leakage.
- Replace with new batteries.

Check the DTA50

Is the DTA50's power cord connected to the power outlet?

Check the TV Codes List

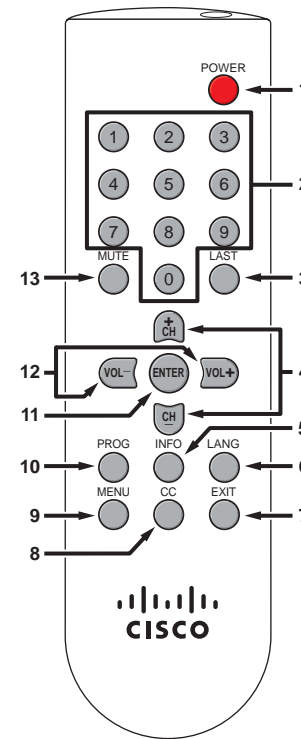
Is the device brand name for the device listed in the code list?

- If **yes**, and there is more than one code listed, try using a different code to provide more functionality.
- If **no**, you may need to perform the following steps:
 - Use the original remote provided with the TV
 - Run an Auto Search

Note: TV Setup Codes determine which keys can be programmed. For example, if you use TV Setup Code 0154, the Volume (+/-) keys are the only keys you can program. The remote will control the TV's volume keys, but it will not control the POWER, MUTE or Closed Captioning keys.

4

Quick Reference



- TV power on and off
- Access specific channels
- Access last channel viewed
- Scroll through channels
- Display text information about the program
- Change audio to different languages
- Exit menu*
- View closed-caption text*
- Access the DTA50 menu*
- Control the TV's volume, mute, and closed captioning keys
- Select menu item*
- Adjust volume
- Mute volume

* The Closed Captioning button on the DTA50 Remote Control may not work if the remote control for your cable-ready TV does not have a Closed Captioning (CC) button.

* Optional features

5

TV Setup Codes

A-Mark	0003	CCE	0217, 0329, 0623
Abex	0032	Celebrity	0000
Accurian	1803	Celera	0765
Action	0873	Champion	1362
Admiral	0093, 0463, 0179	Changhong	0765
Advent	0761, 0783, 0815, 0817, 0842, 1933	Citizen	0060, 0030, 0092, 0039, 0046, 0056, 0186, 0280, 1669, 1671, 1672, 1928, 1935
Adventura	0046	Clairtone	0185
Alfron	0891	Clarion	0180
Aiko	0092	Classic	1984
Aiwa	0032, 0701, 1362	Coby	1634, 2306, 2314, 2315, 2326, 2338, 2340, 2343, 2344, 2345, 2347, 2348, 2351, 2560
Akai	0812, 1675, 0702, 0030, 0098, 0672, 1207, 1676, 1688, 1689, 1690, 1692, 1935, 2232	Commercial Solutions	0047
Alaron	0179, 0183, 0216	Computime	1002
Albatron	0700, 0843	Concerto	0056
Ambassador	0177	Contec	0180, 0157, 0158, 0185
America Action	0180	Craig	0180, 0161
Anam	0180, 0004, 0009, 0068	Crosley	0000, 0054
Anam National	0161	Crown	0180, 0039
AOC	0030, 0003, 0019, 0052, 0137, 0185, 1089, 1365, 1589, 1590, 2014, 2087	CTX	0700
Aomni	1623	Curtis	1326, 2352, 2466
Apex Digital	0748, 0879, 0765, 0767, 0890, 1217, 1943, 1991, 1992, 2397	Curtis Mathes	0047, 0054, 0154, 0451, 0093, 0060, 0702, 0030, 0145, 0166, 1661, 1959, 1919, 0747, 0466, 0068, 0056, 0039, 0016
Archer	0003	CXC	0180
Astar	1531, 1738	CyberHome	0794
Audiovox	0451, 0180, 0092, 2513, 1952, 1951, 1937, 1868, 1803, 1769, 1766, 1284, 0875, 0846, 0802, 0713, 0623, 0003	Cytron	1326
Aurora Systems	0801	Daewoo	0154, 0451, 0092, 1661, 0019, 0039, 0066, 0091, 0623, 0661, 0672, 1928
Aventura	0171	Daytron	0019
Axion	1937	Dell	1264, 1080, 1178
Bang & Olufsen	1620	Delta	1001, 1369
Belcor	0019	Denon	0145, 0511
Bell & Howell	0154, 0016	Denstar	0628
BenQ	1032, 1315	Diamond Vision	1996, 1997
Bradford	0180	Digistar	1565
Brilliant	1007	Digital Lifestyles	1765
Brockwood	0019	Disney	1665, 2152
Broksonic	0236, 0463, 0003, 1905, 1911, 1929, 1935	Dumont	0017, 0019
Byd:sign	1309	Durabrand	0463, 0180, 0178, 0171, 1034, 0003, 1665
C & M	0700	Dwin	0747
Cadia	1283	Dynex	2049, 1463, 1785
Candle	0030, 0046, 0056, 0186	Electroband	0000, 0185
Carnivale	0030	Electrograph	1755, 1623
Carver	0054, 0170	Electrohome	0463, 0381, 0409, 1670, 1672
Casio	1205		

7

8

